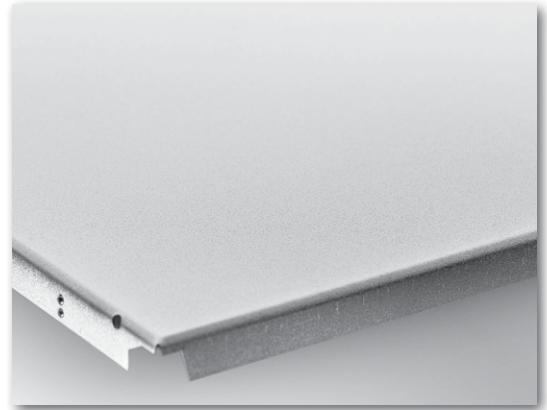


PARZIFAL® - matt Surface for Metal Ceilings

PARZIFAL® is a particularly matt surface coating for metal ceilings. The homogenous surface is extremely insensitive to incident grazing light. The ceiling appears smooth and elegant. PARZIFAL® shows its specific features especially in expanded spaces, foyers and in areas with large floor-to-ceiling windows.

The colour pigments of the on hydro fired process based coating spread the incident light, any reflections or reflection effects are counteracted. The gloss level is below 10 units according to Gardner.

PARZIFAL® is available in the variants "matt" and "structure". "Matt" can be realised in the colour "hellweiß" and in various RAL colours. "Structure" is currently available in the colour "weiß naturmatt".



Fire Behaviour

Metal ceilings coated with PARZIFAL® convince with best fire behavior and reach the highest building material class according to EN 13501-1: **A1 – not flammable**.

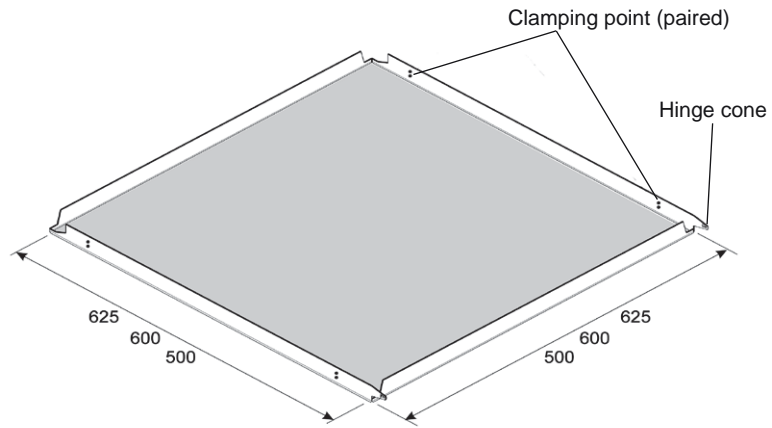
Perforations

<p>1622 with fleece Ø 1.6 mm Share of holes 22% max. perforation exterior size 627 mm Suspension height 400 mm $\alpha_w = 0.65$</p>	<p>Rd 1.6 - 3.0 (n. DIN 24041)</p>	<p>2820 with fleece Ø 2.8 mm Share of holes 20% max. perforation exterior size 623 mm Suspension height 400 mm $\alpha_w = 0.70$</p>	<p>Rd 2,8 - 5,52 (n. DIN 24041)</p>	<p>Further diagonal 1606 Rd 1810 Rd 2508 Rd 2805 Rd 4521 Rd</p>
<p>1820 with fleece Ø 1.8 mm Share of holes 20% max. perforation exterior size 630 mm Suspension height 200 mm $\alpha_w = 0.75$</p>	<p>Rg 1.8 - 3.57 (n. DIN 24041)</p>	<p>2516 with fleece Ø 2,5 mm Share of holes 16% max. perforation exterior size 629 mm Suspension height 400 mm $\alpha_w = 0.80$</p>	<p>Rg 2,5 - 5,5 (n. DIN 24041)</p>	<p>Further straights 1611 Rg 1805 Rg 2504 Rg 2803 Rg 2810 Rg 4510 Rg</p>

Systems

**Clip-in System DIPLING
Cassette Ceilings**

- Standard format 625x625mm
- Standard format 600x600mm
- Standard format 500x500mm

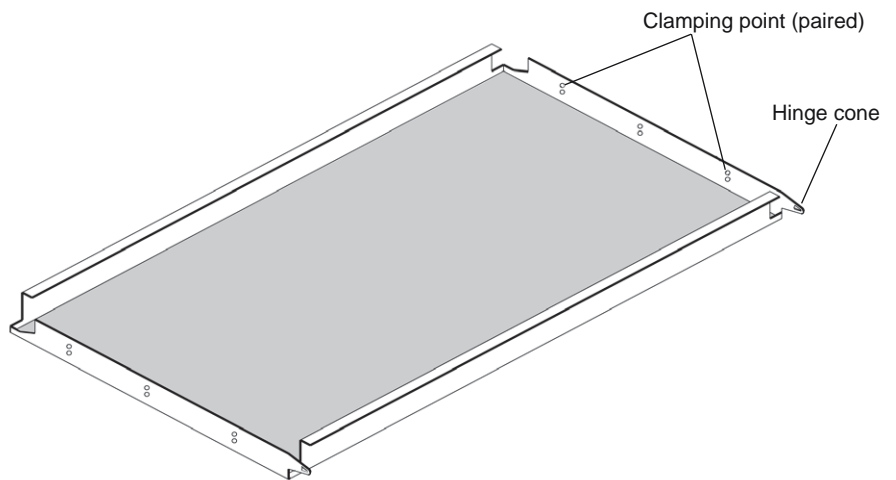


**Clip-in System DIPLING
Long span tile ceilings with window effect**

Width/Length: [625/1.550]mm
Longitudinal webs c-shaped approx.
32/8mm

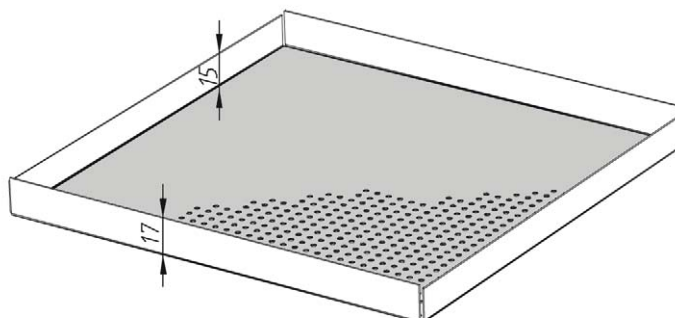
Width/Length: [605/1.950]mm
Longitudinal webs c-shaped approx.
40/10mm

Width/Length:[590/3.000]mm
Longitudinal webs c-shaped approx.
45/12mm



Lay-in System KQE T24

- Lay in tiles for T24-rail
- Standard format 625x625mm
- Standard format 600x600mm

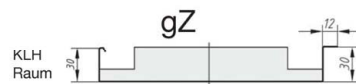
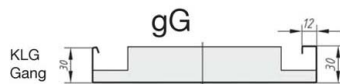
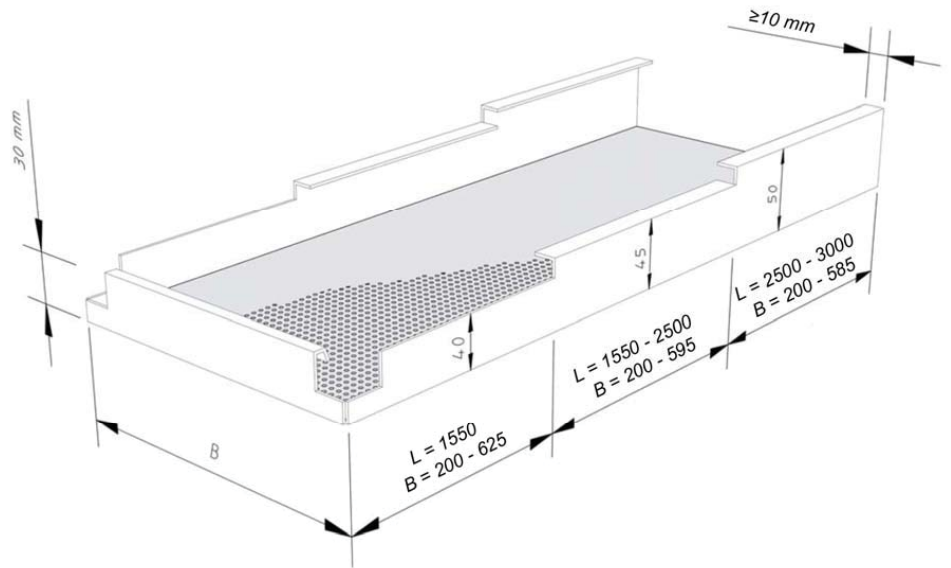


Surface

Production Possibilities with PARZIFAL®

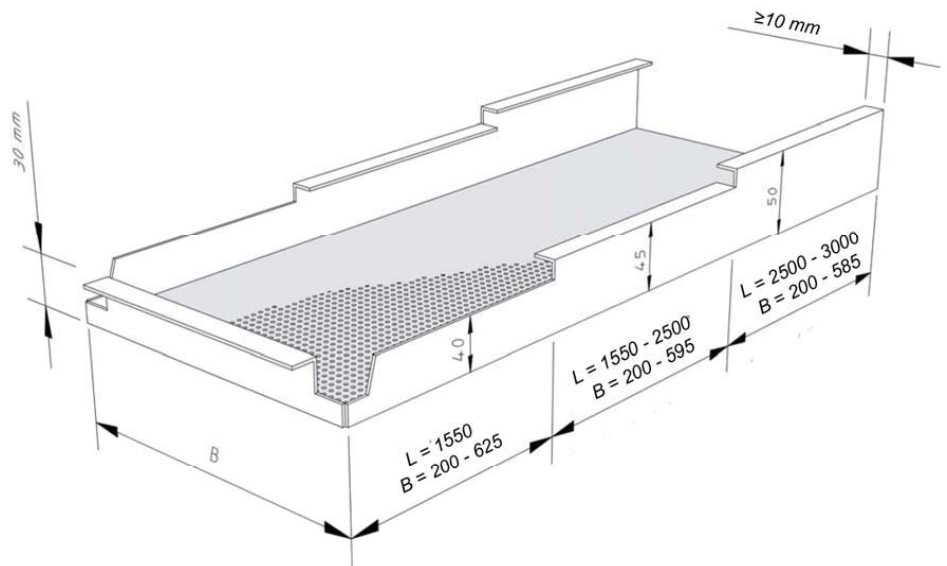
Hang-in System

- KQH square
- KLH long span
- Tile dimension according to sketch
- possible with closed and open front side



Strip Grid System

- Tile dimension according to sketch
- Hanger cut out in front side possible
- DOOR-function not possible
- Strip grid up to 3.000mm length



Standard

French Hook

